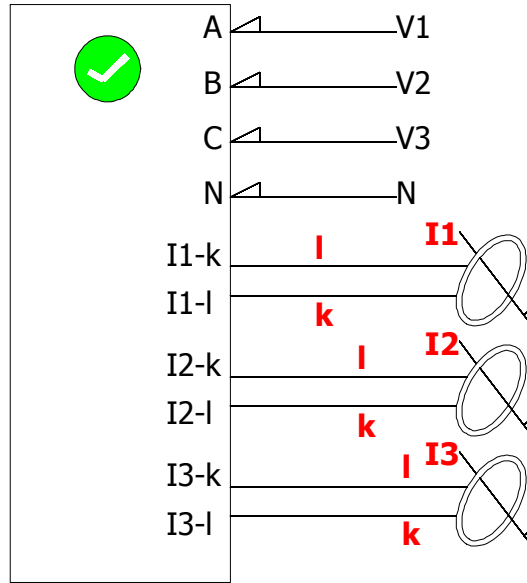
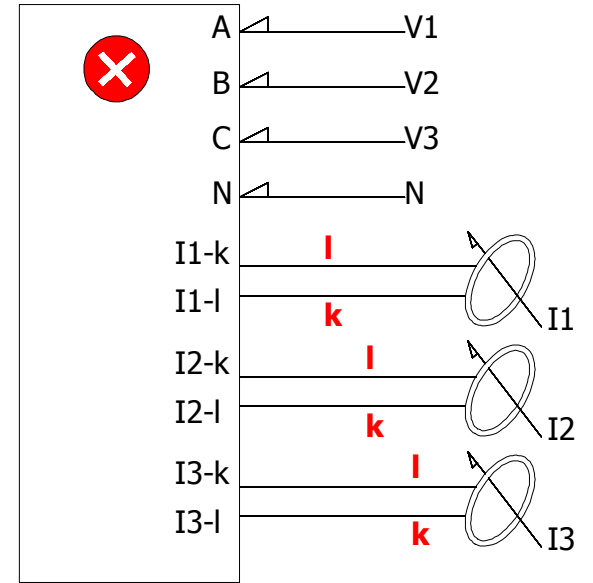


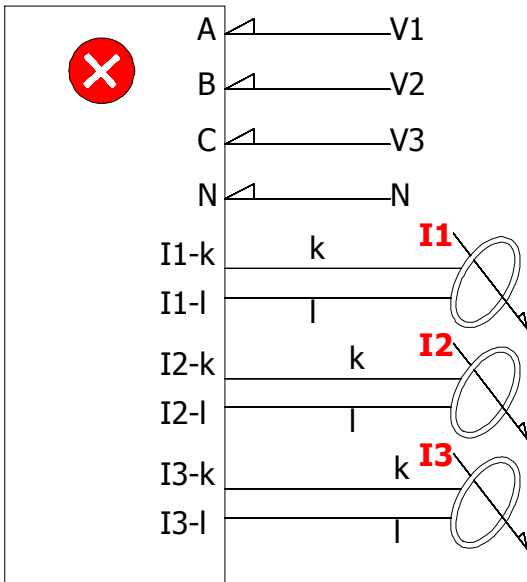
**Good wiring**



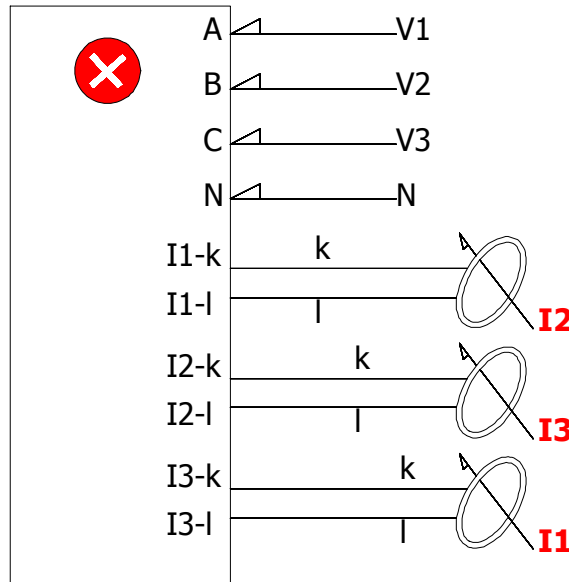
**I-Load Wrong direction then swap I & k to compensate**



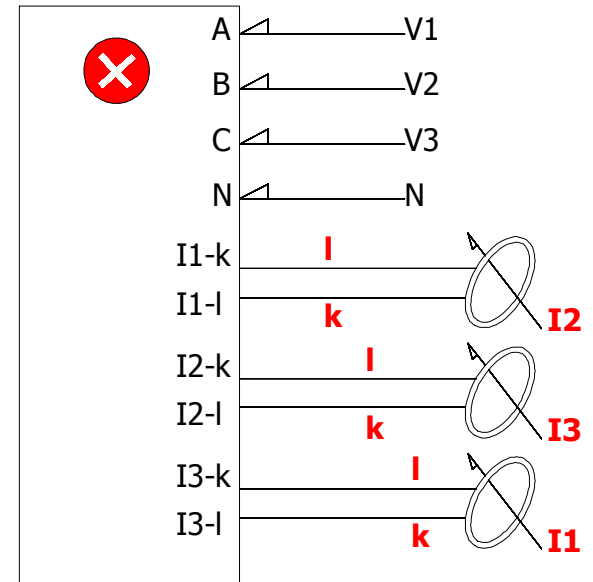
**CT I & k -Wrong wiring**



**Load Current Wrong direction**



**CT Phase Sequence Wrong**



**CT Phase Sequence Wrong+ I & k wrong connected**